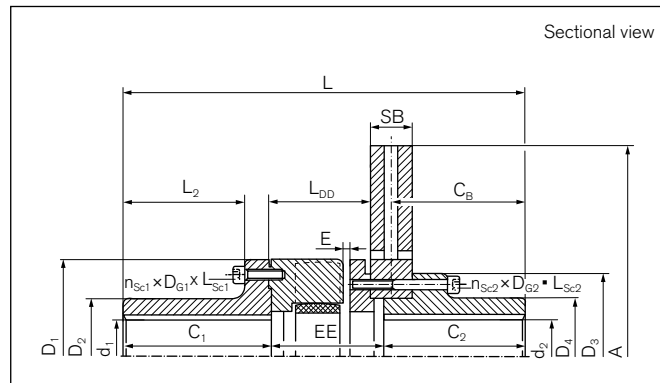
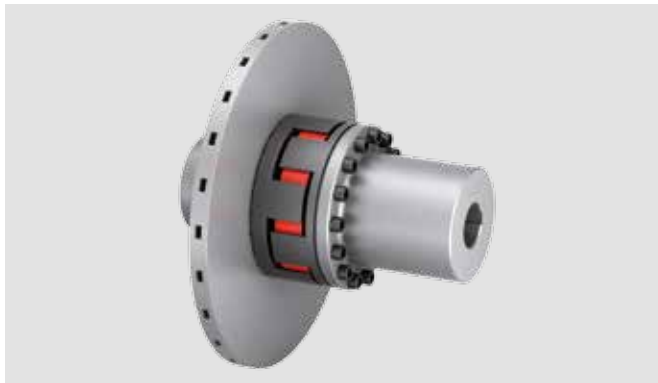


Elastomer Couplings TNS SDDL-5-BSV

Coupling with detachable claw rings



Dimensions / Technical data

- | | | |
|---|---|--|
| A = Max. outer diameter | D₂ = Outer diameter hub | EE = Distance of the hubs |
| SB = Disc width | D₃ = Outer diameter hub | d_{be} = Inner diameter elastic intermediate ring |
| T_{KN} = Nom. transmissible torque | D₄ = Outer diameter hub | n_{Sc1} = Quantity of screws D _{G1} |
| T_{Kmax} = Max. transmissible torque of the coupling | C₁ = Guided length in hub bore | D_{G1} = Thread |
| n_{max} = Max. rotation speed | C₂ = Guided length in hub bore | L_{Sc1} = Length of screw D _{G1} |
| d_{1kmax} = Max. bore diameter d ₁ with keyway acc. to DIN 6885-1 | C_B = Brake disc distance | T_{A1} = Tightened torque of clamping screw D _{G1} |
| d_{2kmax} = Max. bore diameter d ₂ with keyway acc. to DIN 6885-1 | L = Total length | n_{Sc2} = Quantity of screws D _{G2} |
| D₁ = Outer diameter | L₂ = Length on the hub | D_{G2} = Thread |
| | L_{DD} = Distance dimension | L_{Sc2} = Length of screw D _{G2} |
| | E = Gap width between left and right component | T_{A2} = Tightened torque of clamping screw D _{G2} |
| | F_E = Tolerance of the gap width E | GW_{ub} = Weight, unbored |

Identifier	Size	A	SB	T _{KN}	T _{Kmax}	n _{max}	d _{1kmax}	d _{2kmax}	D ₁	D ₂	D ₃	D ₄	C ₁	C ₂	C _B	L	L ₂										
		mm	mm	Nm	Nm	1/min	mm	mm	mm	mm	mm	mm	mm	mm	mm	mm	mm										
WS5212-0315V30	125	315	30	370	1100	3000	55	55	126	80	125	80	110	107	102	286,5	96,5										
WS5214-0315V30	145	315	30	600	1800	3000	65	55	145	92	125	80	110	107	102	298	93,5										
WS5214-0355V30		355	30															2700	65	145	95	102	298				
WS5217-0400V30	170	395	30	950	2850	2400	75	75	170	110	165	105	140	107	102	331,5	123,5										
WS5217-0450V30		445	30															2100	75	170	110	135	364,5				
WS5223-0500V30	230	495	30	2580	7740	1800	110	105	230	160	220	150	170	140	135	412,5	150										
WS5223-0550V30		550	30															1800	110	230	160	220	150	170	140	135	412,5
WS5226-0550V30	260	550	30	3980	11940	1500	125	105	260	180	235	150	210	140	135	469	185,5										
WS5226-0630V30		625	30															1300	125	260	180	235	150	210	140	135	469
WS5226-0710V30		705	30															1500	125	260	180	235	150	210	140	135	469
WS5230-0630V42	300	625	42	5850	17550	1400	140	125	300	200	265	180	210	140	141	492	183,5										
WS5230-0710V30		705	30															1300	140	300	200	265	180	210	140	135	480
WS5230-0800V30		795	30															1200	140	300	210	265	180	210	140	135	480
WS5236-0630V42	360	625	42	9700	29100	1400	160	150	360	225	300	210	250	140	141	540,5	220,5										
WS5236-0800V30		795	30															1200	160	360	225	300	210	250	140	135	528,5
WS5240-0800V42		795	42															1000	160	400	225	380	260	250	180	181	588,5
WS5240-1000V42	995	42	900	160	400	225	380	260	250	180	181	588,5															

To continue see next page

Elastomer Couplings **TNS SDDL-5-BSV**

Identifier	Size	L _{DD}	E	F _E	EE	d _{be}	Screws ISO 4762 - 8.8									G _{wub}
							n _{Sc1}	D _{G1}	L _{Sc1}	T _{A1}	n _{Sc2}	D _{G2}	L _{Sc2}	T _{A2}		
		mm	mm	mm	mm	mm		mm	mm	Nm		mm	mm	Nm	kg	
WS5212-0315V30	125	61	5	+ 2,5	69,5	54	9	M10	25	49	9	M10	70	49	24,0	
WS5214-0315V30	145	72,5	5	+ 2,5	81	66	9	M12	30	85	9	M10	70	49	27,6	
WS5214-0355V30					M12							75	85	32,0		
WS5217-0400V30	170	76	5	+ 3,0	84,5	90	12	M12	30	85	9	M14	75	135	44,6	
WS5217-0450V30					M16							80	210	51,5		
WS5223-0500V30	230	95	7	+ 3,5	102,5	115	15	M14	35	135	12	M18	90	300	93,0	
WS5223-0550V30					M18							90	300	99,0		
WS5226-0550V30	260	111,5	8	+ 4,0	119	150	15	M16	40	210	12	M18	90	300	121,5	
WS5226-0630V30					M20							95	425	135,8		
WS5226-0710V30					M22							100	580	158,8		
WS5230-0630V42	300	122,5	8	+ 4,0	142	162	15	M20	50	425	12	M24	110	730	185,8	
WS5230-0710V30					M22							100	580	181,0		
WS5230-0800V30					M24							100	730	210,9		
WS5236-0630V42	360	131	8	+ 4,0	150,5	215	12	M24	55	730	12	M24	110	730	231,6	
WS5236-0800V30					M24							100	730	256,7		
WS5240-0800V42					M30							120	1450	327,0		
WS5240-1000V42	400	139	8	+ 4,0	158,5	250	14	M24	55	730	12	M30	120	1450	427,0	

Ordering example: TSCHAN® TNS SDDL-5-BSV

Identifier	Size	d _{1k}	d _{2k}	Further details*)
WS5226-0630V30	260	125	105	*

*) Without any other specification, we deliver as a standard: with set screws and keyway acc. to DIN 6885-1, keyway side fit P9, bore tolerance H7

Subject to technical change.